

T1NC

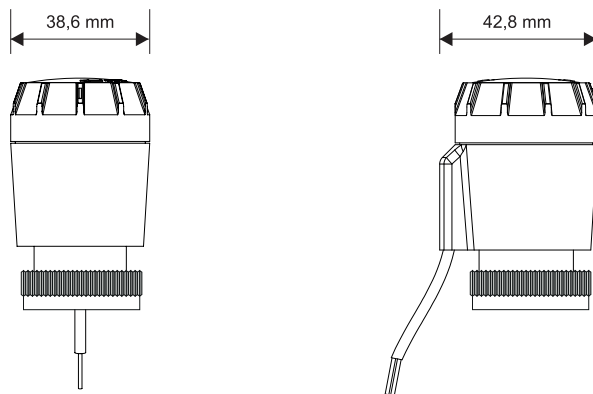
Euroster T1 NC actuators may be used to drive stem valves operating in floor CH systems to control water temperature.



- The Electrothermic Actuator is a device for opening and closing of circuits in surface heating / cooling systems, as well as radiator installations,
- Due to its new design and technology, opening /closing, installation and maintenance is greatly simplified. The valve can be opened manually at any time and thus low can be realized,
- Switching to manual (Man) or automatic (Auto) operation is done by turning the upper knob in the direction indicated by the arrows,
- Small overall width only 39 mm suitable for marginal valve distances,
- Audited quality according to IEC 60730-2-14,
- Durable and reliable through high quality materials „Made in EU”,
- High protection class IP 54 according to EN 60529,
- Energy-efficient through low power input,
- Easy installation without tools.

Supply voltage	230 V 50 Hz
Connection (thread)	M30 x 1,5
Versions	Normally Closed „NC”
Max. power consumption	1,2 W
Max. inrush current	300 mA
Stroke	4,5 mm
Closing- and opening times	about 170 seconds
Degree / Class of Protection	IP 54, protection class II
Force	100 N
Fluid temperature	max. 100°C
Ambient temperature	max 60°C
Storage temperature	from -25°C to +60°C
Connection cable / length	PVC, 2 x 0,75 mm ² , length 0,8 m
Humidity	max 80%, no condensation





The following diagrams are simplified and do not cover all elements necessary for the correct installation.

CONNECTION DIAGRAM

Uwaga! Zawór jest otwierany po podaniu napięcia na siłownik.

