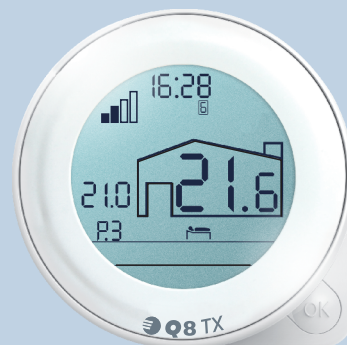
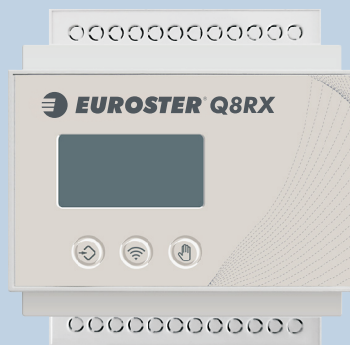


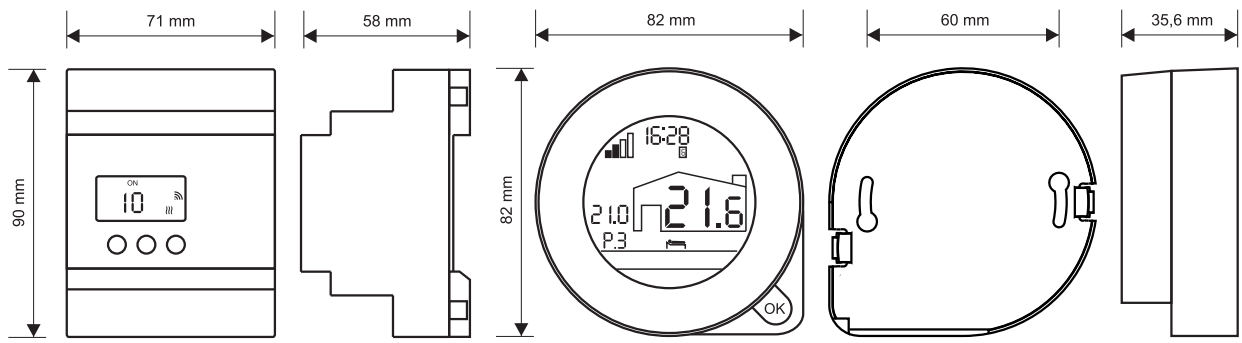
EQ8TXRX

Wireless, programmable thermostat designed to control the operation of fan heaters and fan coil units by means of 0...10 V signal.



- automatic control of fan rotational speed (control signal 0...10 V) depending on the difference between preset and measured temperature
- control of heating and cooling valve
- bidirectional radio communication ensures high operational reliability and resistance to interference
- precise information on radio signal level facilitates determining the maximum range
- intuitive temperature setting with the knob
- 9 time ranges per day with selectable temperature values – up to 63 settings per week
- simultaneous display of current and required temperature values
- heating in advance – turning the heating on in advance in order to obtain the preset temperature at the required time
- automatic switch-on of air conditioning, if required
- additional control input – possibility to decrease the preset temperature
- complete or partial interlock of the thermostat with a selectable 4-digit PIN code
- backup of settings and transmission parameters in the case of loss of power to the receiver
- wide range of useful functions: automatic switch to summer and winter season, manual operation, turning the heating off after the heating season, air circulation function

Controlled device	fan coil units, hydronic air heaters, trench heaters, forced air heating
Supply voltage	3 V thermostat (2 pieces of alkaline AA batteries) / 24 V DC receiver
Maximum power consumption of the receiver	1.4 W
Receiver output	0...10 V analog - fan / 24 V DC - valve actuators
Maximum load	2 A 24 V DC valve actuators
Maximum range	up to 20 m (in built-up area)
Temperature measurement range	-9.9°C...99°C
Temperature adjustment range	5°C...35°C
Temperature control and reading accuracy	0.1°C
Hysteresis	0.2...5°C
Visual signalization	backlit LCDs
Operation temperature	5°C...40°C
Storage temperature	0°C...45°C
Color	white thermostat, gray receiver
Mounting method	thermostat – stand / receiver – cabinet (35 mm DIN rail, 4 modules)
Weight	thermostat without batteries – 114 g / receiver – 111 g
Standards, approvals, certificates	conformity with EMC, LVD, RED and RoHS
Thermostat class	IV
Contribution to energy efficiency	2%
Dimensions (width / height / depth) in mm	thermostat 82/82/35.6 / receiver 71/90/58
Kit contents	Euroster Q8TX thermostat with stand, RX receiver, alkaline batteries, Installation and Operation Manual with Warranty Certificate



CONNECTION DIAGRAM

