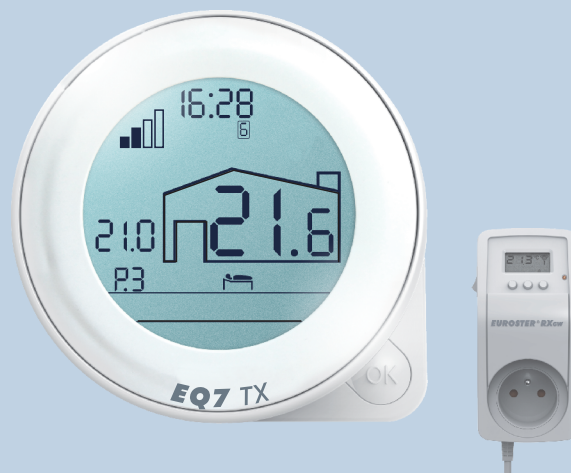


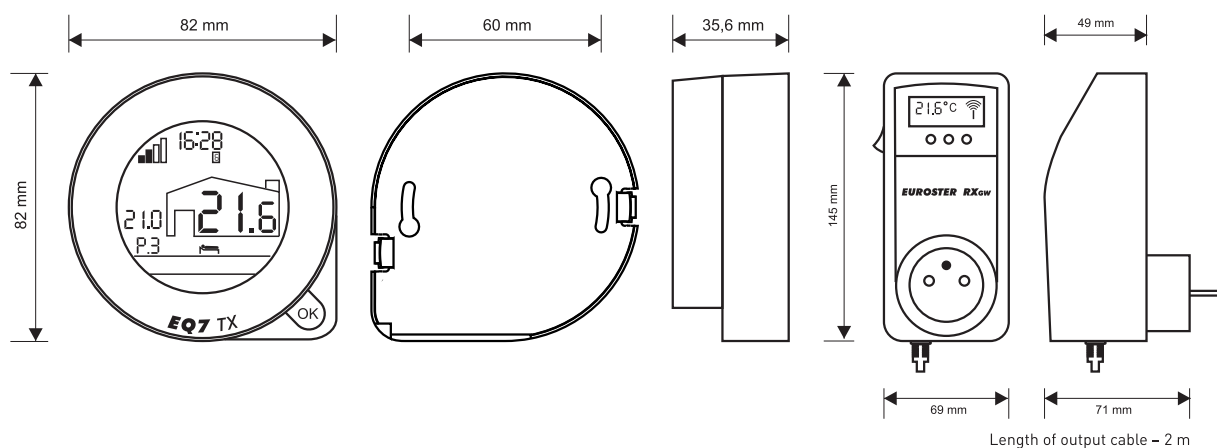
# EQ7 TXRXGW

Wired, daily room thermostat for all types of heating and air-conditioning devices.



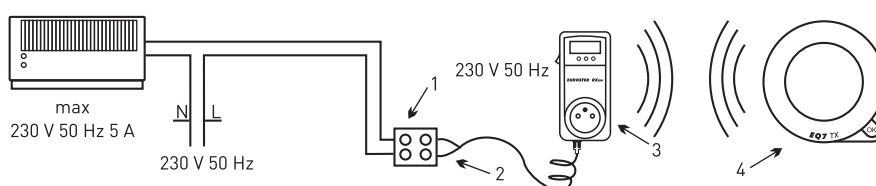
- bidirectional communication ensures high operational reliability and resistance to interference
- precise information on radio signal level facilitates determining the maximum range
- display of information on the RX display
- connecting receiver and thermostat easily
- "learning" function – automatic storing of settings with no need to program the thermostat
- 9 time ranges per day with selectable temperature values – up to 63 different settings per week
- heating in advance – turning the heating on in advance in order to obtain the preset temperature at the required time
- intuitive temperature setting with the knob
- complete or partial interlock of the thermostat with a selectable 4-digit PIN code
- automatic selection of thermostat operation parameters depending on the system type and components
- backup of settings of thermostat, receiver and transmission parameters during power blackouts
- simultaneous display of current and required temperature values
- quick test of correct connection of the thermostat
- a wide range of useful functions: battery saving, automatic switch to summer and winter season, turning the heating off after the heating season, adjustable frost protection temperature
- surface mounting

Controlled device	heating / air conditioning systems
Supply voltage	thermostat – 3 V (2 pieces of alkaline AA batteries) / receiver – 230 V 50 Hz
Maximum power consumption	1,3 W
Receiver output	relay, voltage-free type, SPST
Maximum load	5 A 230 V 50 Hz
Maximum range	up to 30 m (in built-up area)
Temperature measurement range	-10°C...+80°C
Temperature adjustment range	+5°C...+35°C
Temperature control and reading accuracy	0,1°C
Visual signalization	thermostat – backlit display / receiver – display and LED
Operation temperature	+5°C...+45°C
Storage temperature	0°C...+65°C
Ingress protection rating	IP20, class II
Color	white
Mounting method	thermostat – stand / receiver – 230 V 50 Hz socket
Weight	thermostat without batteries – 114 g / receiver – 359 g
Standards, approvals, certificates	conformity to R&TTE and RoHS Directive
Warranty period	2 years
Dimensions (width / height / depth) mm	thermostat – 82/82/35.6 / receiver – 69/145/71
Thermostat kit	Euroster Q7 TX thermostat with stand, RXGW, receiver, user manual, batteries



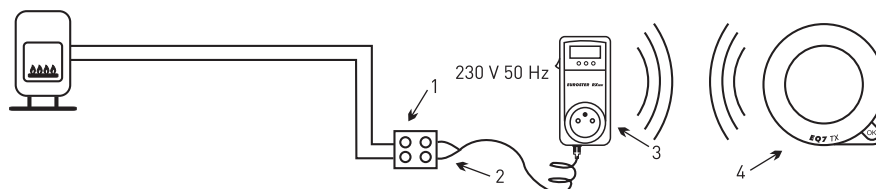
The following diagrams are simplified and do not cover all the elements necessary for the correct installation.

### IN ARRANGEMENT WITH THE 230 V 50 HZ DEVICE



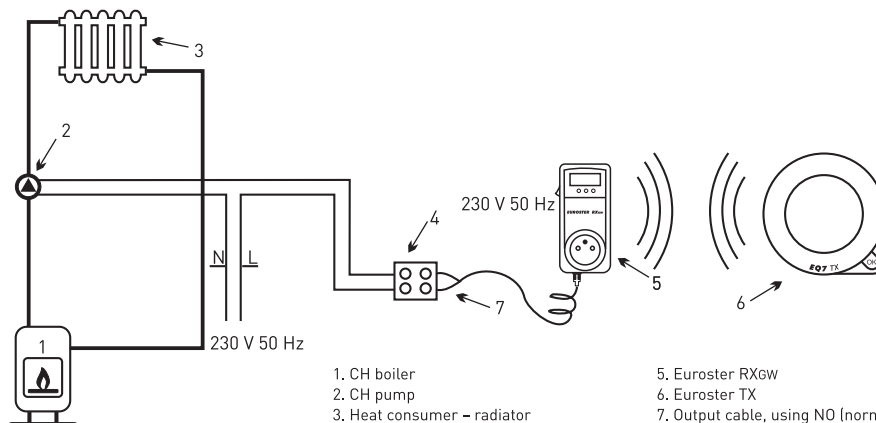
1. Electrical connection block
2. Output cable, using NO (normally open) mode.
3. Euroster RXGW
4. Euroster TX placed in any room

### IN ARRANGEMENT WITH A GAS BOILER



1. Electrical connection block
2. Output cable, using NO (normally open) mode.
3. Euroster RXGW
4. Euroster TX placed in any room

### IN ARRANGEMENT WITH A CENTRAL HEATING PUMP



- |   |  |
|---|--|
| <ol style="list-style-type: none"> <li>1. CH boiler</li> <li>2. CH pump</li> <li>3. Heat consumer – radiator</li> <li>4. Electrical connection block</li> </ol> | <ol style="list-style-type: none"> <li>5. Euroster RXGW</li> <li>6. Euroster TX</li> <li>7. Output cable, using NO (normally open) mode</li> </ol> |
|---|--|