

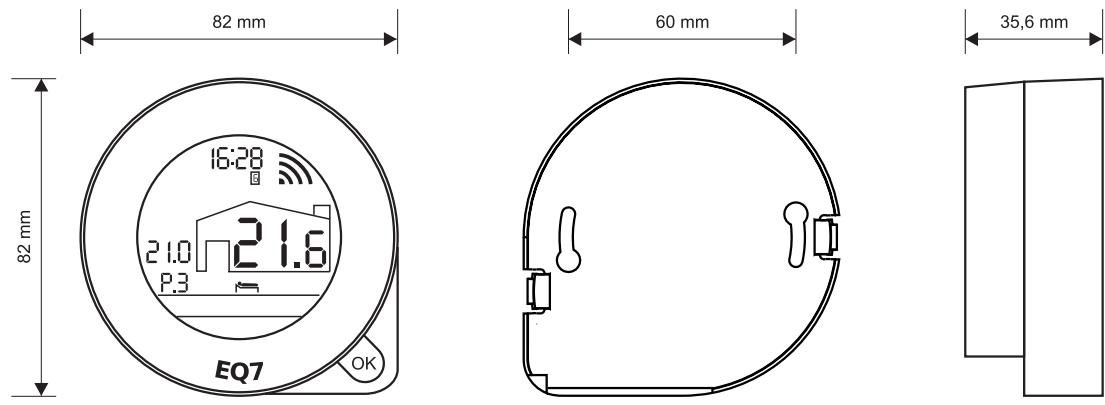
# EQ7

Wired, daily room thermostat for all types of heating and air-conditioning devices.



- "learning" function – automatic storing of settings with no need to program the thermostat
- 9 time ranges per day with selectable temperature values – up to 63 different settings per week
- heating in advance – turning the heating on in advance in order to obtain the preset temperature at the required time
- possibility to select operation with two sensors (floor temperature limit)
- intuitive temperature setting with the knob
- complete or partial interlock of the thermostat with a selectable 4-digit PIN code
- automatic selection of thermostat operation parameters depending on the system type and components
- memory of all settings and ranges independent of power blackouts
- switch of heating and cooling, and storing settings of both functions
- simultaneous display of current and required temperature values
- automatic or manual hold of heating during airing of the room
- quick test of correct connection of the thermostat
- a wide range of useful functions: battery saving, automatic switch to summer and winter season, turning the heating off after the heating season, adjustable frost protection temperature
- surface mounting

Controlled device	heating / air conditioning systems
Supply voltage	3 V – 2 pieces of alkaline AA batteries
Maximum load	5 A 230 V 50 Hz
Thermostat output	relay, voltage-free type, SPDT (change-over)
Temperature measurement range	-10°C...+80°C
Temperature adjustment range	internal sensor: +5°C...+35°C, sensor on cable -9.9°C...+79.9°C
Floor temperature limit	+5°C...+45°C
Temperature control and reading accuracy	0,1°C
Visual signalization	backlit LCD with text box
Operation temperature	+5°C...+45°C
Storage temperature	0°C...+65°C
Ingress protection rating	IP20, class II
Mounting method	wall-mounted, screw anchors
Color	white
Thermostat weight without batteries	114 g
Standards, approvals, certificates	conformity to EMC, LVD, RoHS
Warranty period	2 years
Dimensions (width / height / depth) mm	82/82/35,6
Thermostat kit	Euroster Q7 thermostat, screw anchors, user manual, batteries. Caution! Floor sensor with the connector is not included in the kit. Please order it separately.



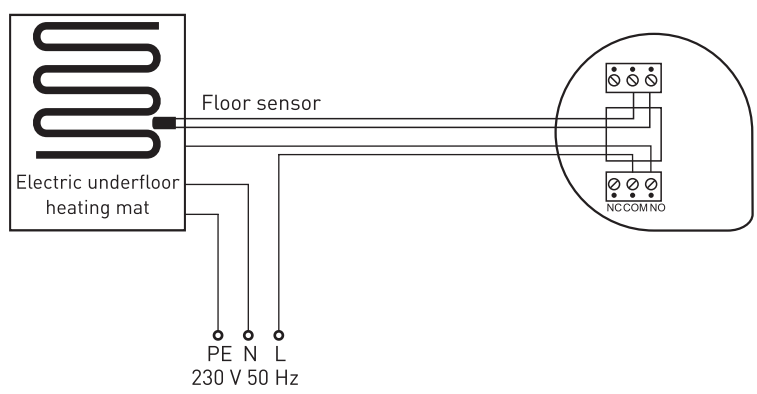
The following diagrams are simplified and do not cover all the elements necessary for the correct installation.

**IN ARRANGEMENT WITH A GAS BOILER**



**IN A FLOOR HEATING ARRANGEMENT**

For receivers fed with 230 V 50 Hz voltage



**IN A HEATING / COOLING ARRANGEMENT**

For receivers fed with 230 V 50 Hz voltage

