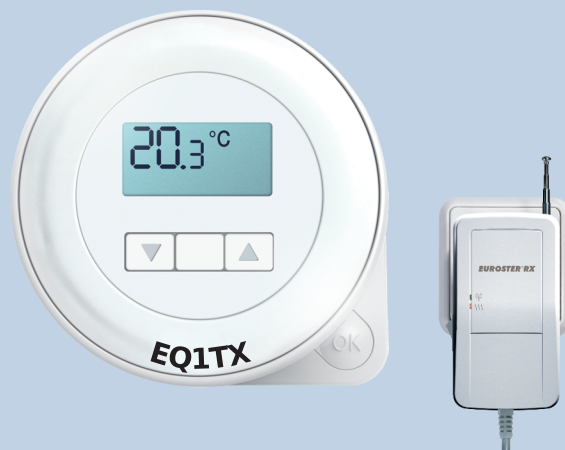


EQ1 TXRX

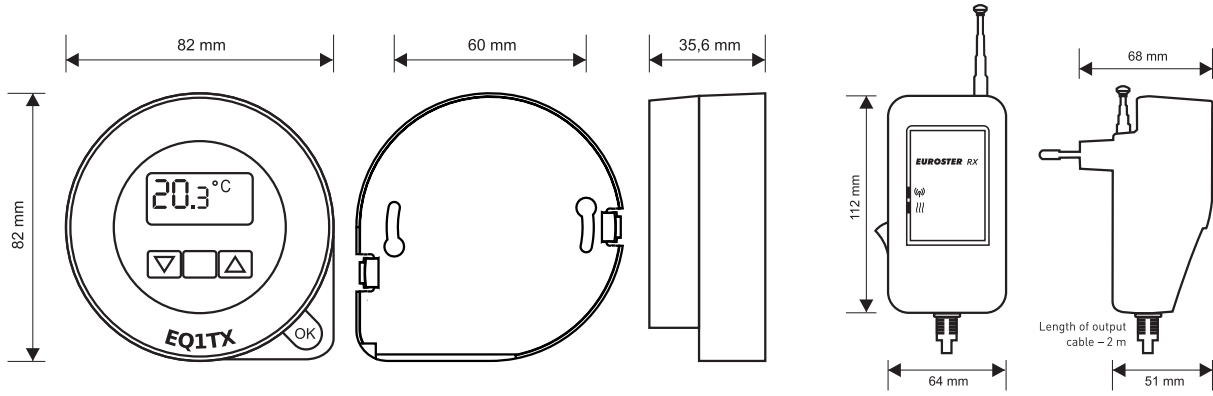
Wireless, daily room thermostat for all types of heating and air-conditioning devices.



- does not require leading cable connections between the thermostat and the controlled device
- user friendly thermostat enabling easy control of temperature in living and utility rooms
- used to control the operation of a pump, CH boiler or other heating device
- innovative function of automatic storing of two daily settings
- 0.2°C accuracy of the temperature setting
- heating device operation indication, discharged batteries indication
- function for switching the thermostat off after the heating season
- temperature readings correction
- test mode enabling to check the thermostat operation
- surface mounting

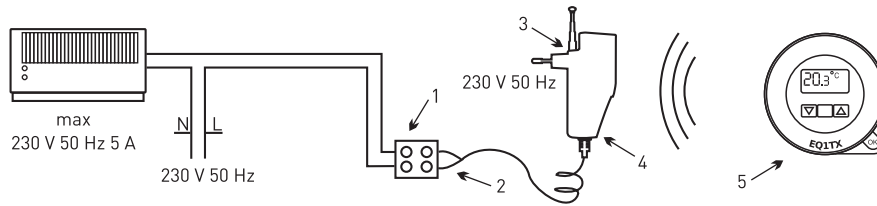
Controlled device	heating / air conditioning systems
Supply voltage	thermostat – 3 V (2 pieces of alkaline AA batteries) / receiver – 230 V 50 Hz
Maximum power consumption of the receiver	1 W
Receiver output	relay, voltage-free type, SPDT
Maximum load	5 A 230 V 50 Hz
Maximum range	up to 30 m (in built-up area)
Temperature measurement range	-9.9°C...+99°C
Temperature adjustment range	+5°C...+45°C
Temperature adjustment accuracy	0,2°C
Temperature reading accuracy	0,1°C
Hysteresis range	0,2/0,5/1/2/5°C
Visual signalization	thermostat – LCD / receiver – LEDs
Operation temperature	+5°C...+45°C
Storage temperature	0°C...+50°C
Ingress protection rating	IP20, class II
Color	white
Mounting method	thermostat – stand / receiver – 230 V 50 Hz socket
Weight	thermostat without batteries – 98.6 g / receiver – 288 g
Standards, approvals, certificates	conformity to R&TTE and RoHS Directive
Warranty period	2 years
Dimensions (width / height / depth) mm	thermostat – 82/82/35.6/receiver – 64/112/68
Thermostat kit	Euroster Q1 thermostat with stand, RX receiver, user manual, batteries





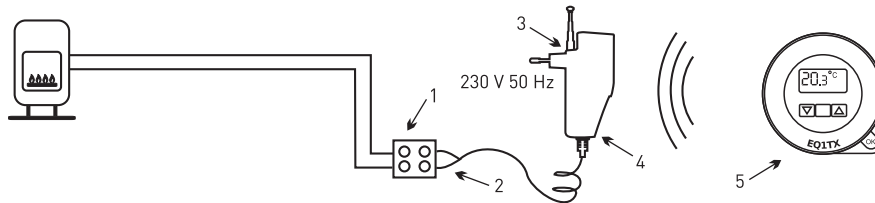
The following diagrams are simplified and do not cover all the elements necessary for the correct installation.

IN ARRANGEMENT WITH THE 230 V 50 HZ DEVICE



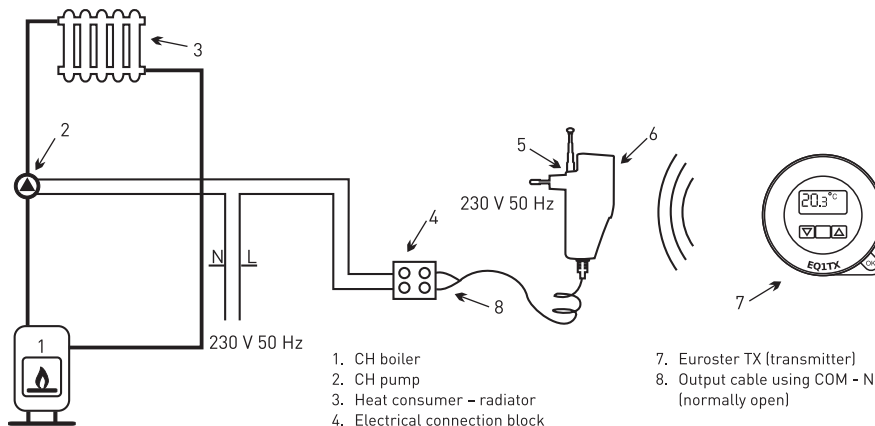
1. Electrical connection block
2. Output cable, using COM - NO contact (normally open)
3. Antenna
4. Euroster RX (receiver)
5. Euroster TX placed in any room

IN ARRANGEMENT WITH A GAS BOILER



1. Electrical connection block
2. Output cable using COM - NO contact (normally open)
3. Antenna
4. Euroster RX (receiver)
5. Euroster TX placed in any room

IN ARRANGEMENT WITH A CENTRAL HEATING PUMP



1. CH boiler
2. CH pump
3. Heat consumer - radiator
4. Electrical connection block
5. Antenna
6. Euroster RX (receiver)
7. Euroster TX (transmitter)
8. Output cable using COM - NO contact (normally open)