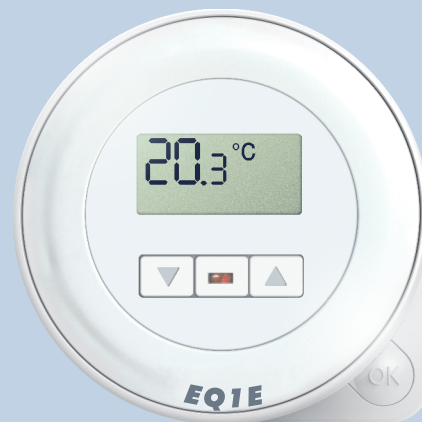


# EQ1E

Wired, daily room thermostat fed with 230 V 50 Hz voltage for all types of heating and air-conditioning devices

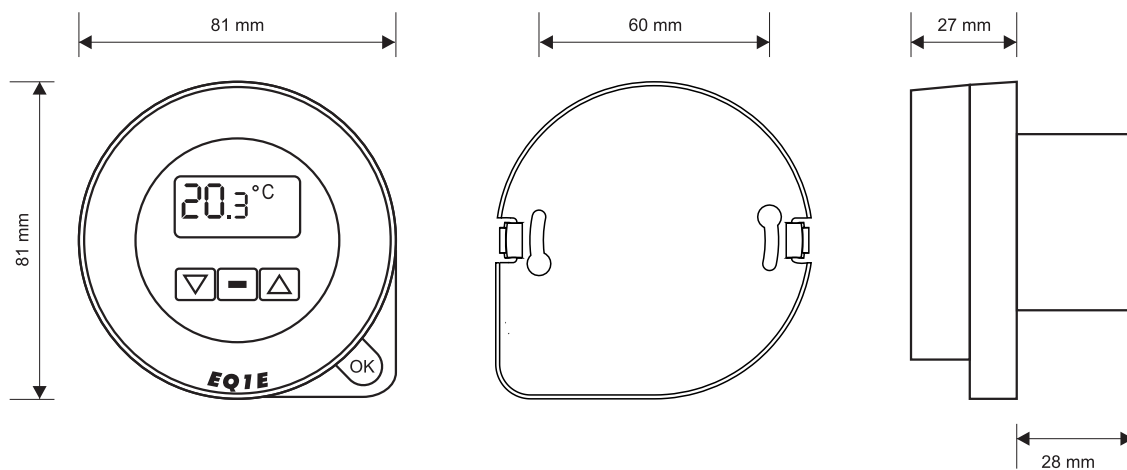


- user friendly thermostat enabling easy control of temperature in living and utility rooms
- used to control the operation of a pump, CH boiler or other heating device
- enables operation in one of the following three operation modes:
  - room temperature control mode
  - floor temperature control mode
  - room temperature control with floor temperature limitation mode
- innovative function of automatic storing of two daily settings
- 0.2°C accuracy of the temperature setting
- heating device operation indication, discharged batteries indication
- function for switching the thermostat off after the heating season
- temperature readings correction
- test mode enabling to check the thermostat operation
- flush mounting

Controlled device	heating / air conditioning systems
Supply voltage	230 V 50 Hz
Maximum load	10 A 230 V 50 Hz
Thermostat output	relay, voltage-free type, SPST (normally open)
Temperature measurement range	-9.9°C...+99°C
Temperature adjustment range	+5°C...+45°C
Temperature adjustment accuracy	0,2°C
Temperature reading accuracy	0,1°C
Hysteresis range	0,2°C/0,5°C/1°C/2°C/5°C
Visual signalization	LCD and LED
Operation temperature	+5°C...+45°C
Storage temperature	0°C...+50°C
Ingress protection rating	Ip20, class II
Color	white
Mounting method	flush-mounted fi 60 box
Thermostat weight	135 g
Standards, approvals, certificates	conformity to EMC, LVD, RoHS
Warranty period	2 years
Dimensions (width / height / depth) mm	81/81/55
Thermostat kit	Euroster Q1E thermostat, user manual. Caution! Floor sensor with the connector is not included in the kit. Please order it separately.

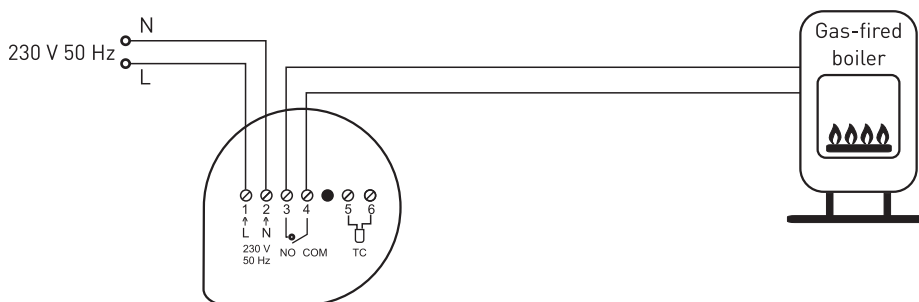
EUROSTER Q1E

THERMOSTAT



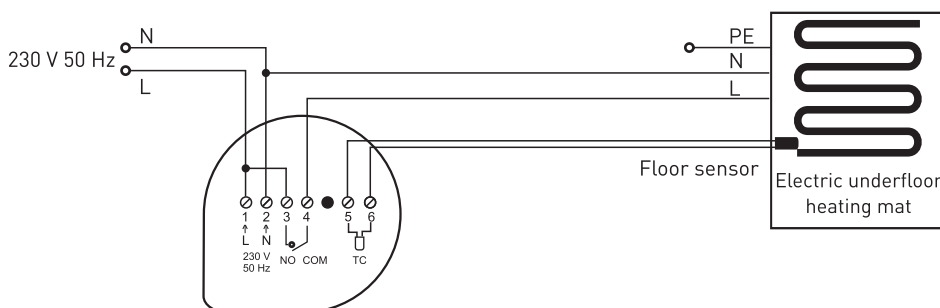
The following diagrams are simplified and do not cover all the elements necessary for the correct installation.

### IN ARRANGEMENT WITH A GAS BOILER



### IN A FLOOR HEATING ARRANGEMENT

For receivers fed with 230 V 50 Hz voltage



### IN A HEATING / COOLING ARRANGEMENT

For receivers fed with 230 V 50 Hz voltage

