

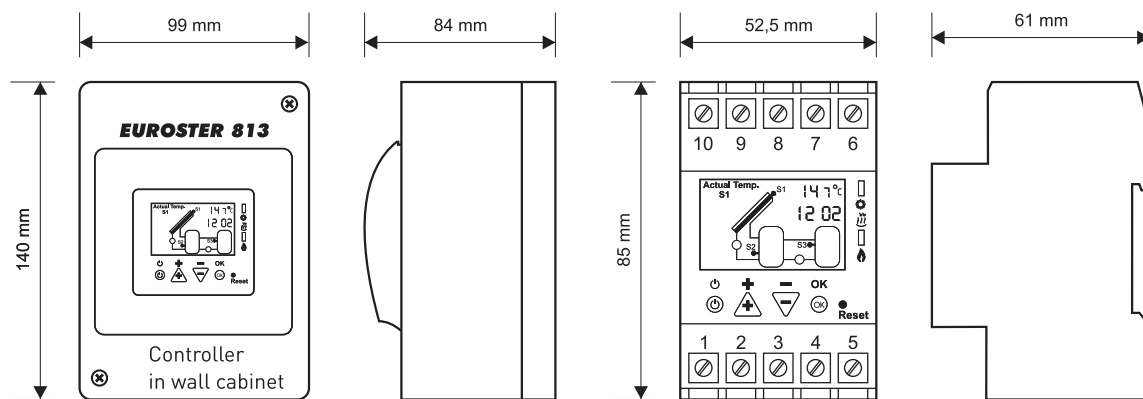
E813

To control a solar system.



- may control temperature of a solar collector and up to two tanks
- four installation layouts possible
- backlit LCD displays the layout
- control of an additional heat source in selected time brackets
- overheat / freeze prevention
- tank disinfection (to kill Legionella bacteria)
- mounted on a DIN rail or wall or in a wall cabinet

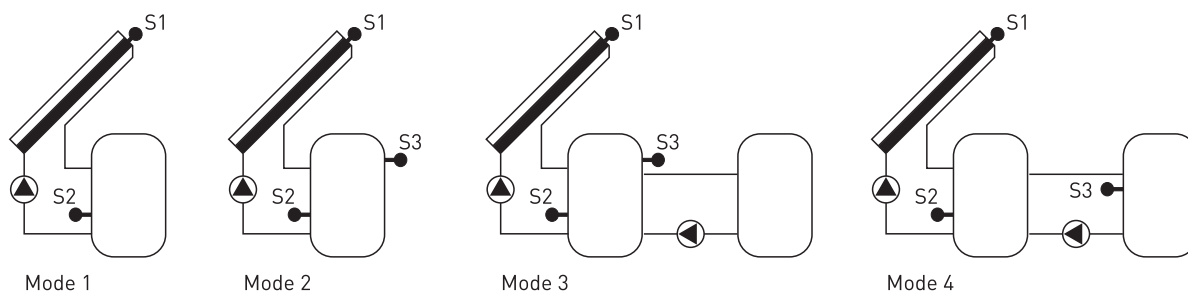
Device controlled	solar collector pump, additional heat source
Power supply	230 V 50 Hz
Rated load	7 A 230 V 50 Hz (output A), 16 A 230 V 50 Hz (output B)
Rated power consumption	0,8 W
Output	230 V 50 Hz relay
Temperature measurement range	-40°C...+250°C (solar collector), -10°C...+110°C (tanks)
Tank temperature control range	+10°C...+100°C
Temperature control accuracy	1°C
Temperature reading accuracy	1°C
Temperature control hysteresis	1°C...20°C
Status visualization	backlit LCD, LED diodes
Operating temperature range	0°C...+45°C
Storage temperature range	-20°C...+55°C
IP rating	IP 30
Colour	white, RAL9003
Mount method	wall-mounted, wall cabinet
Weight	161 g / 293 g (without/with wall cabinet)
Certificates/standards	complies with the EMC and LVD Directives
Warranty period	2 years
Dimensions (W/H/D) mm	52,5/85/61 (without the cabinet)
Packing list	Euroster 813 controller, 3 temperature sensors, instructions, mounting bracket, wall cabinet, wall plugs



Sensor cable length:
 1. Solar collector temperature sensor (Pt100, 1 ea) - 2 m
 2. Tank temperature sensors (2 ea) - 1,5 m

The simplified diagrams presented do not contain all of the elements necessary to correctly install the device.

OPERATION MODES



CONNECTIONS

