

# E4010<sub>TXRX</sub>

Wireless, daily room thermostat, for all types of heating devices.



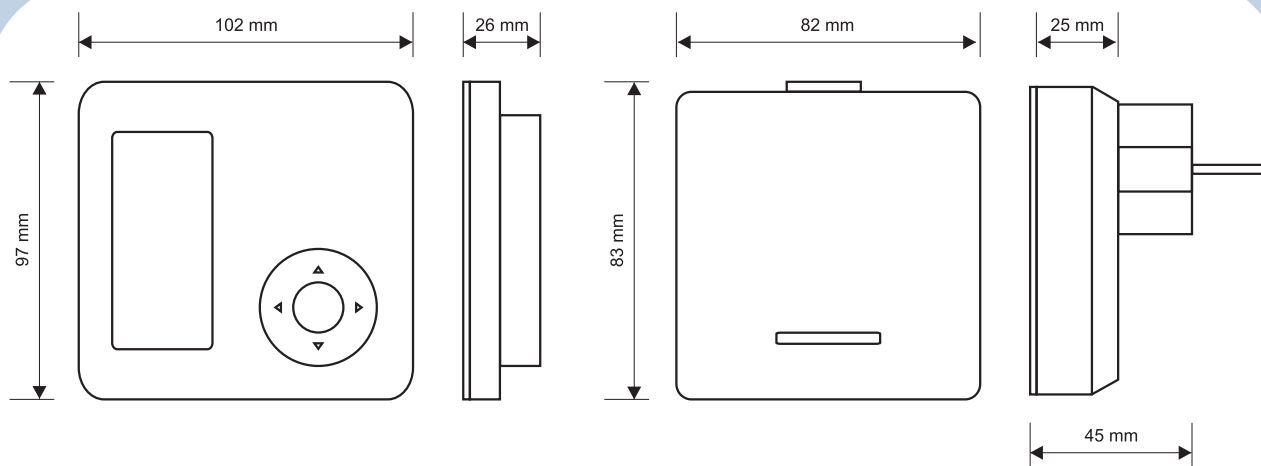
- Does not require leading cable connections between the thermostat and the controlled device
- User-friendly thermostat enabling easy control of temperature in living and utility rooms
- Bidirectional communication ensures high operational reliability and resistance to interference
- Possible cooperation with up to 6 Euroster RX receivers
- Legible, backlit display
- Simultaneous display of current and preset temperature values
- Temperature read-out accuracy of 0.1 °C
- Possibility to switch the thermostat off with an active frost protection temperature after the heating season
- Temperature read-out correction
- Surface mounting

Controlled device	heating systems
Supply voltage	thermostat – 3 V – 2 pieces of alkaline AAA batteries / receiver – 230 V 50 Hz
Maximum load	5 A 250 V 50Hz
Thermostat output	relay, voltage-free type, SPST
Temperature measurement range	0 °C...+99 °C
Temperature adjustment range	+5 °C...+35 °C
Temperature adjustment accuracy	0.1°C
Temperature reading accuracy	0.1°C
Hysteresis range	0.2 °C... 10 °C with the step of change of 0.1 °C or PWM mode
Visual signalization	backlit LCD
Operation temperature	+5 °C...+45 °C
Storage temperature	0 °C...+50 °C
Ingress protection rating	IP 20
Color	white/gray
Mounting method	thermostat – stand / receiver – 230 V 50 Hz socket
Weight	thermostat without batteries – 120 g / receiver – 170 g
Dimensions (width / height / depth) mm	thermostat – 102/97/26 / receiver – 82/83/45
The operating frequency	868 Mhz
Maximum power of transmission	<25 mW
Thermostat class	IV (PWM mode)
Contribution to energy efficiency	2 %
Standards, approvals, certificates	conformity to RED, EMC, LVD, and RoHS
Warranty period	2 years
Thermostat kit	Euroster 4010TX thermostat, RX receiver, thermostat base, batteries, User Manual with Warranty Certificate

EUROSTER 4010<sub>TXRX</sub>

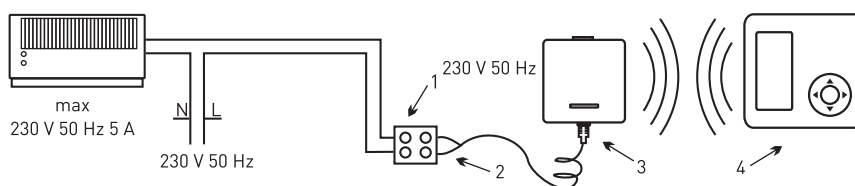
THERMOSTAT





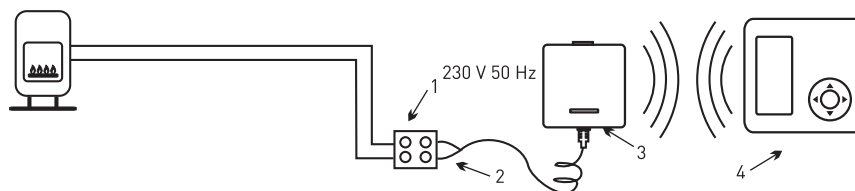
The following diagrams are simplified and do not cover all elements necessary for the correct installation.

### IN ARRANGEMENT WITH THE 230 V 50 HZ DEVICE



1. Electrical connection block
2. Output cable, COM - NO (normally open) contact used
3. Euroster RX (receiver)
4. Euroster TX placed in any room

### IN ARRANGEMENT WITH A GAS BOILER



1. Electrical connection block
2. Output cable, COM - NO (normally open) contact used
3. Euroster RX (receiver)
4. Euroster TX placed in any room