

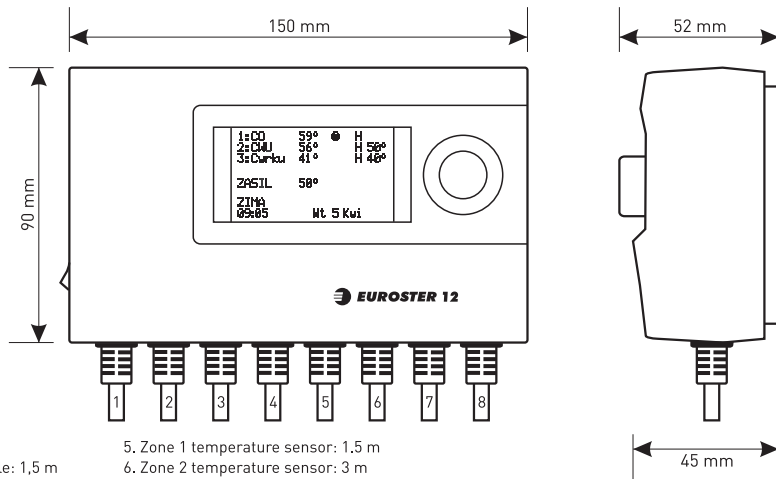
Used to control the operation of maximum three devices in a heating system.



- 3 configurable, independently operating control outputs (relays),
- possibility to configure each output for the operation with:
 - central heating circulation pump,
 - domestic hot water tank feeding pump,
 - domestic hot water zone circulation pump,
 - underfloor heating pump,
 - blower (no speed adjustment),
 - any device (thermostat mode, time-based operation mode).
- flexible arrangement enables adaptation of the controller to the needs of the majority of systems,
- configurable DHW priority,
- weekly operating schedules independent for each output,
- overheating protection for the zones,
- SUMMER/WINTER operation mode,
- Anti-Stop function – protection of pumps against seizure.

Controlled device	CH pumps and other devices used in heating systems
Supply voltage	230 V 50 Hz
Maximum load of each of the outputs	1 A 230 V 50 Hz
Maximum power consumption	3 W
Temperature measurement range	0°C... +100°C
Temperature control range	CH mode: +10°C... +90°C, DHW: +30°C...+95°C, DHW circulation: +20°C...+70°C, floor: +20°C...+60°C, blower: +15°C...+85°C, thermostat: 0°C...+99°C
Hysteresis range	2°C...10°C
Visual signalization	backlit, graphic LCD
Operating temperature	+5°C...+40°C
Storage temperature	0°C...+50°C
Ingress protection rating	IP40
Color	black
Installation method	wall-mounted
Weight	0,84 kg
Standards, approvals, certificates	conformity with EMC, LVD, and RoHS
Warranty period	2 years
Dimensions (W/H/D) mm	150/90/52
Content of the controller set	Euroster 12 controller, user manual, sensor hose clips, screw anchors mounting template





Length of cables:

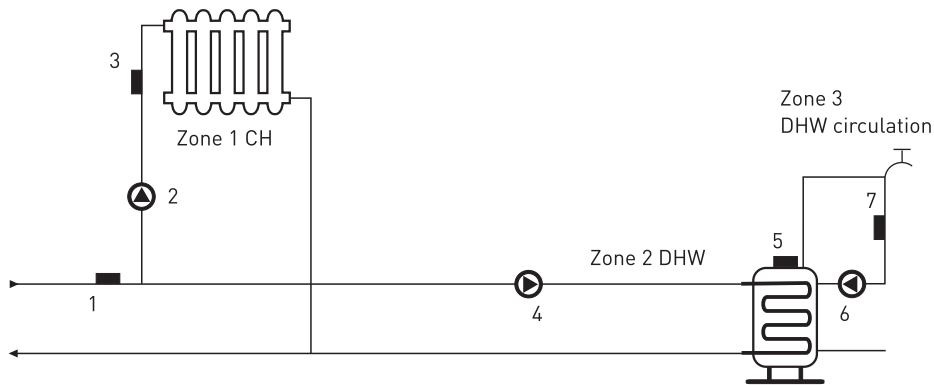
- 1. Controller power cable: 1,5 m
- 2. Device 1 power cable: 1,5 m
- 3. Device 2 power cable: 1,5 m
- 4. Device 3 power cable: 1,5 m

- 5. Zone 1 temperature sensor: 1,5 m
- 6. Zone 2 temperature sensor: 3 m
- 7. Zone 3 temperature sensor: 5 m
- 8. Feeding temperature sensor: 1,5 m

The following diagrams are simplified and do not cover all the elements necessary for the correct operation of the system.

MOUNTING TEMPLATE

An example of a CH zone pump, DHW tank feeding pump DHW circulation pump control system.

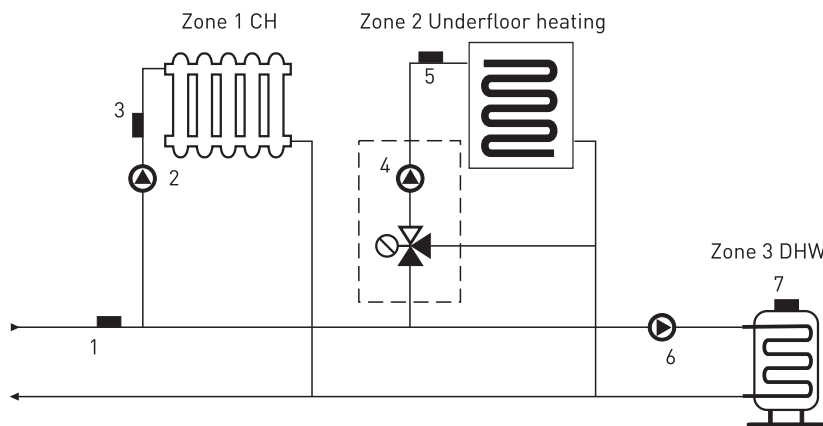


- 1. Feeding temperature sensor
- 2. Central heating zone pump
- 3. Central heating zone temperature sensor
- 4. Domestic hot water tank feeding pump

- 5. Tank temperature sensor
- 6. Domestic hot water circulation pump
- 7. Domestic hot water circulation temperature sensor

MOUNTING TEMPLATE

An example of a CH zone pump, underfloor heating zone pump (thermostatic mixer) and DHW tank feeding pump control system.



- 1. Feeding temperature sensor
- 2. CH zone pump
- 3. CH zone temperature sensor
- 4. Underfloor heating pump

- 5. Underfloor heating zone temperature sensor
- 6. DHW tank feeding pump
- 7. DHW tank temperature sensor