

E11C

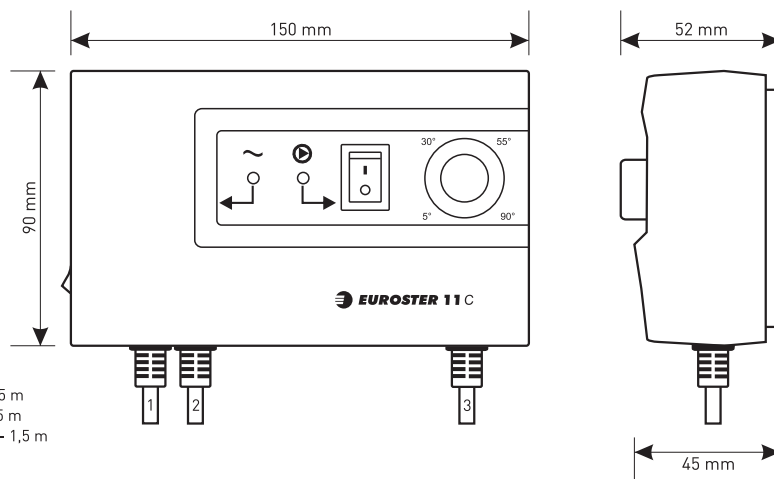
To control a central heating system circulation pump.



- CH pump turned on/off automatically to maintain the preset temperature
- transformer to increase safety
- boiler sweat prevention
- switch for CH pump continuous operation
- Anty Stop function preventing idle pump rotor seizing

Device controlled	CH pump
Power supply	230 V 50 Hz
Rated output load	3 A 230 V 50 Hz
Rated power consumption	1,4 W
Temperature measurement range	+5°C...+90°C
Temperature control range	+5°C...+90°C
Temperature control accuracy	5°C
Temperature control hysteresis	5°C
Status visualization	LED diodes
Operating temperature range	+5°C...+40°C
Storage temperature range	0°C...+65°C
IP rating	IP 40
Colour	black
Mount method	wall-mounted, wall plugs
Weight (controller with cables)	0,52 kg
Certificates/standards	complies with the EMC and LVD Directives
Warranty period	2 years
Dimensions (W/H/D) mm	150/90/52
Packing list	Euroster 11C controller, wall plugs, instructions, sensor band, mounting template

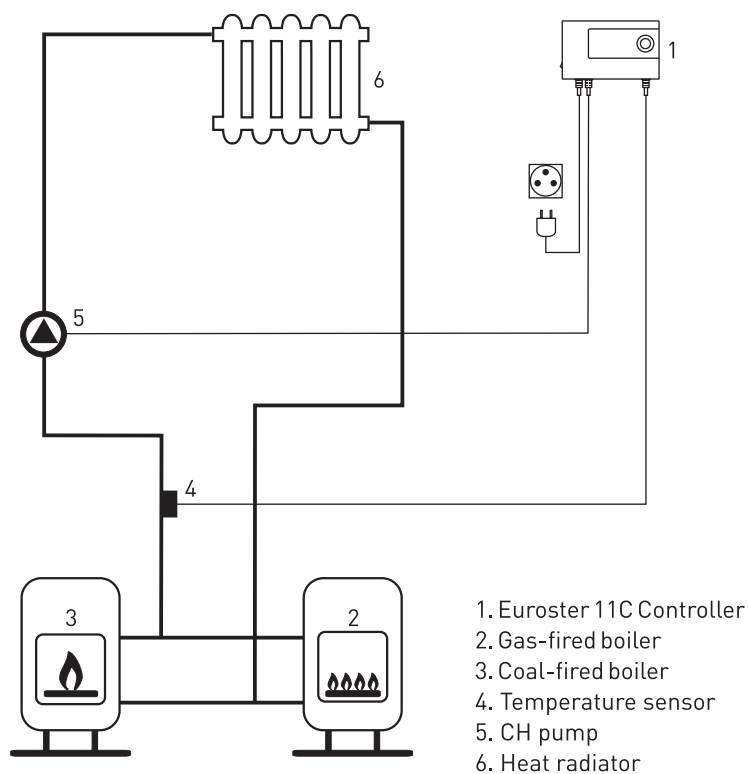




Cable length:
 1. Controller power - 1,5 m
 2. CH pump power - 1,5 m
 3. Temperature sensor - 1,5 m

The simplified diagram presented does not contain all of the elements necessary to correctly install the device. Do not immerse the temperature sensor in liquids or install it in a chimney flue gas exit.

CH CONTROL IN A TWO-BOILER (COAL-FIRED / GAS-FIRED) SYSTEM



1. Euroster 11C Controller
2. Gas-fired boiler
3. Coal-fired boiler
4. Temperature sensor
5. CH pump
6. Heat radiator