

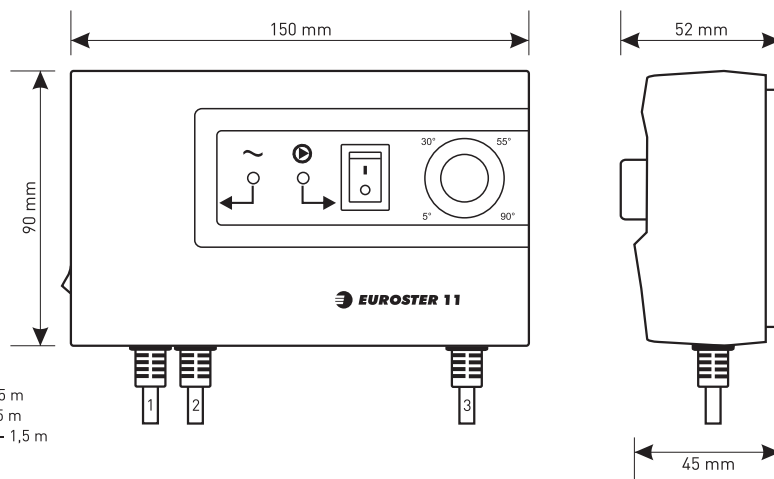
To control a central heating system circulation pump.



- CH pump turned on/off automatically to maintain the preset temperature
- transformer to increase safety
- boiler sweat prevention
- switch for CH pump continuous operation

Device controlled	CH pump
Power supply	230 V 50 Hz
Rated output load	3 A 230 V 50 Hz
Rated power consumption	1,2 W
Temperature measurement range	+5°C...+90°C
Temperature control range	+5°C...+90°C
Temperature control accuracy	5°C
Temperature control hysteresis	5°C
Status visualization	LED diodes
Operating temperature range	+5°C...+40°C
Storage temperature range	0°C...+65°C
IP rating	IP 40
Colour	black
Mount method	wall-mounted, wall plugs
Weight (controller with cables)	0,52 kg
Certificates/standards	complies with the EMC and LVD Directives
Warranty period	2 years
Dimensions (W/H/D) mm	150/90/52
Packing list	Euroster 11 controller, wall plugs, instructions, sensor band, mounting template





The simplified diagram presented does not contain all of the elements necessary to correctly install the device. Do not immerse the temperature sensor in liquids or install it in a chimney flue gas exit.

CH CONTROL IN A TWO-BOILER (COAL-FIRED / GAS-FIRED) SYSTEM

